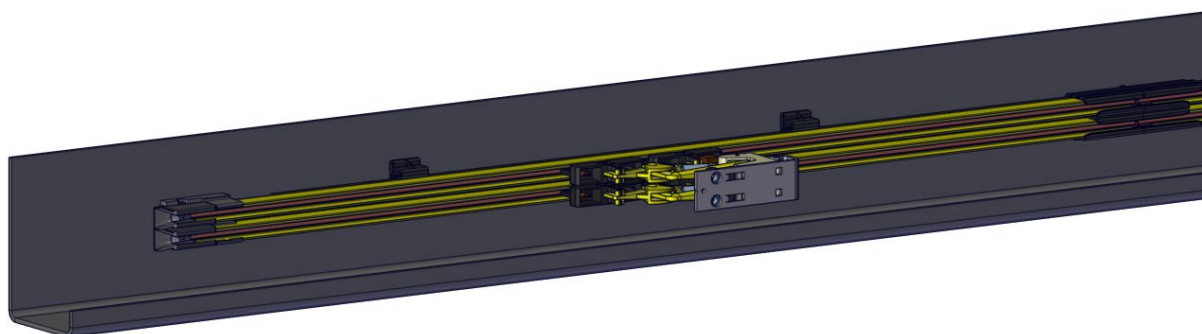




The animations do not replace the Installation Instruction. Please refer also to our Technical Documentation („MAL0835-0001“)!

**NOTICE!**

### MultiLine 0835 Conductor Rail System



## Quick Guide

### Conductor Rail System MultiLine 0835



Please click the hyperlink or scan the code to start each animation:

**MultiLine 0835 System Overview:**

[MOV0835-0001](#)



**Mounting End Segment (Anchor Point):**

[MOV0835-0002](#)



**Mounting and Connecting Conductor Rails:**

[MOV0835-0003](#)



**Mounting the End Segment (without Anchor Point):**

[MOV0835-0004](#)



**Cutting the Conductor Rail:**

[MOV0835-0005](#)



**Current Collector Tolerances 0835:**

[MOV0835-0006](#)



Notes:

**Conductix-Wampfler GmbH**  
Rheinstraße 27 + 33  
79576 Weil am Rhein - Märkt  
Germany

Phone: +49 (0) 7621 662-0  
Fax: +49 (0) 7621 662-144  
[info.de@conductix.com](mailto:info.de@conductix.com)  
[www.conductix.com](http://www.conductix.com)



Importer for the United Kingdom:  
**Conductix-Wampfler Ltd.**  
1, Michigan Avenue  
Salford  
M50 2GY  
United Kingdom

Phone: +44 161 8480161  
Fax: +44 161 8737017  
[info.uk@conductix.com](mailto:info.uk@conductix.com)  
[www.conductix.com](http://www.conductix.com)